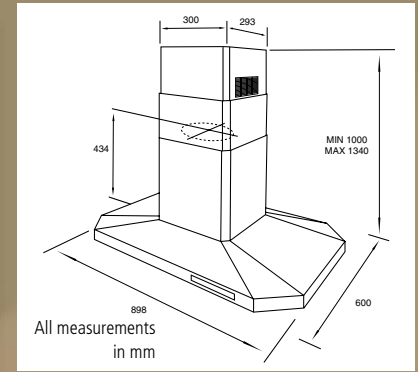


Electrical connection for all rangehoods Recommended Top Rear Centre with approx 1.2 metre Powercord

Fiji Island E90IS

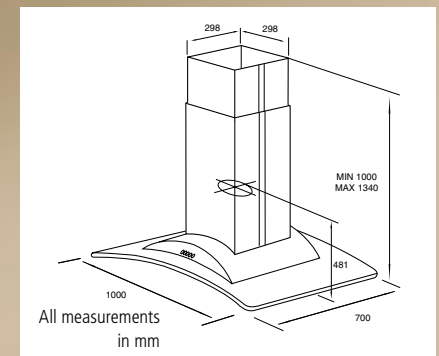
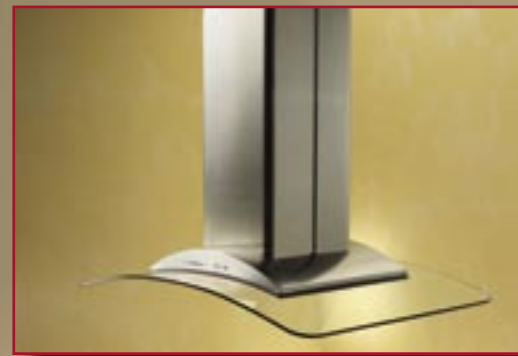


**ISLAND HOOD STAINLESS STEEL
PUSH BUTTON SWITCHES**
Twin 18 Watt Neon Lamps

Air Flow 320 - 820m³/Hour max.
Noise 45 - 60 db

E9019 900mm (Neon Lamps)

Iceberg Island E88IS

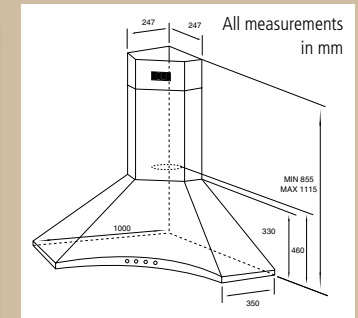


**ISLAND CURVED GLASS
TOUCH CONTROL SWITCHES**
Quad 40Watt Halogen Lamps
Air Flow 450 - 880m³/Hour max.

Noise 45 - 60 db
3 SPEEDS PLUS TURBO

E8819IS 900mm (Quad Halogen)

Hydra E91



**CORNER STYLE STAINLESS STEEL
PUSH BUTTON SWITCHES**
Quad 40Watt Halogen Lamps
Air Flow 450 - 880m³/Hour max.

Noise 45 - 60 db
3 SPEEDS

E91100 1000mm

INSIST ON FIORI...

Canopy Hoods

2 year warranty applies to all products in this brochure

Specifications are subject to change without notice.



Available From:

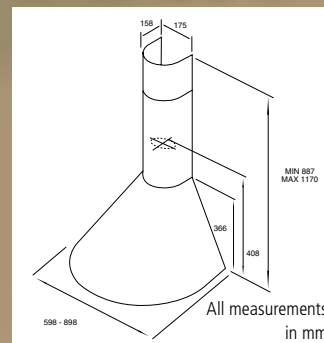


Canopy Hoods



Ventilation Ducting Systems

Tonda E75



WITH BOTTOM HANGING RAILS ROUND HOOD STAINLESS STEEL

Twin 40Watt Halogen Lamps
Air Flow (C) 350 - 590m³/Hour max.
Noise 55 - 65 db

3 SPEED SLIDE SWITCHES

E7516 600mm
E7519 900mm
Recommended for use with Electric Cook Tops Only

INTRODUCING THE NEW
FIORI VENTILATION
DUCTING SYSTEMS.

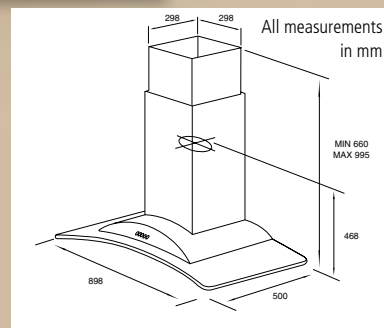
THE SIMPLE SOLUTION
TO INSTALLATION.

AESTHETICALLY
PLEASING...

...TECHNICALLY
BRILLIANT!



Igloo E87



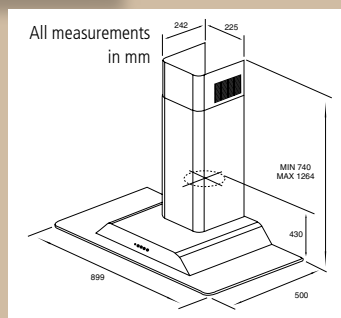
CHIMNEY HOOD CURVED GLASS TOUCH CONTROL SWITCHES

Twin 40 Watt Halogen Lamps
Air Flow (C) 450 - 880m³/Hour

Noise(C) 45-59 db
3 SPEEDS PLUS TURBO

E8719 900mm

Lakeview E86



CHIMNEY HOOD STRAIGHT GLASS PUSH BUTTON SWITCHES

Twin 40 Watt Halogen Lamps
Air Flow (C) 450 - 880m³/Hour

Noise(C) 45-59 db
3 SPEEDS

E8619 900mm

Accessories



Charcoal Filter

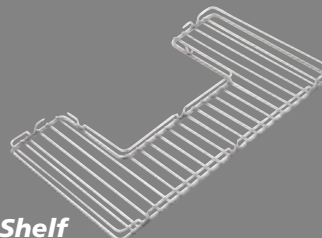


Glass Shelf



Chrome Wire Shelf

Flue Extensions



Advice for Installation

- Install 125 mm discharge pipes that allow better air flow;
- Install pipes with discharge directly to the outside, whenever possible; only when not possible, it is advisable to recirculate the air through the filters of activated charcoal;
- Whenever possible, avoid bends and elbows in the installation of the discharge pipe;
- It is advisable to install the hood at a height no lower than 65 cm from the surface of the cooktop;
- Remember to wash the filters periodically to ensure a better performance and avoid wear;
- Stainless steel hoods should not be cleaned with abrasive agents such as acids, bleach, etc. as they will deteriorate the stainless steel;
- Although Fiori products are designed for easy installation, it is recommended for qualified personnel to carry out the installation.