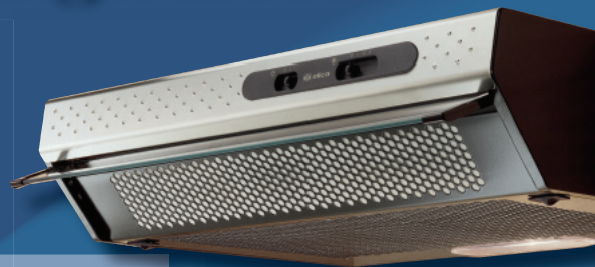
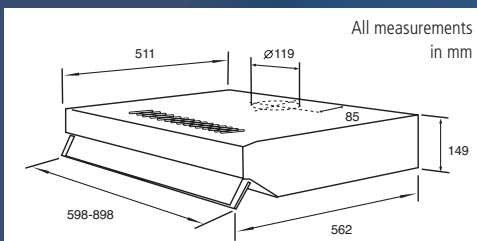




European and Slide-Out Design Hoods

Studio European



Studio European E1316
 • 600mm • Single Motor • 3 Speed Switch
 Available: White Only

Single motor 90 - 170m ³ /h 55 - 69 db	Twin motor 190 - 350m ³ /h 55 - 69 db
---	--

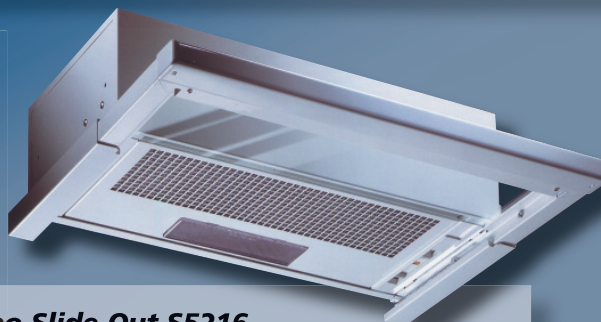
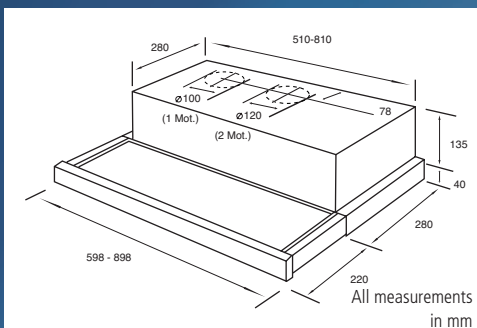
Also Available (not pictured)

Studio European E1329
 • 900mm • Twin Motor • 3 Speed Switch
 Available: White Only

Studio European E1326SS
 • 600mm • Twin Motor • 3 Speed Switch
 COMPLETE STAINLESS STEEL

Studio European E1329SS
 • 900mm • Twin Motor • 3 Speed Switch
 COMPLETE STAINLESS STEEL

Torino Slide-Out



Torino Slide-Out S5216
 • 600mm • 2 Speed Switch • Single Motor • Twin Lights
 • 1 Glass & 1 Aluminium Filter Available: White Only
H596P SSteel Facepanel available

Single motor
220 - 300m³/h
49 - 60 db

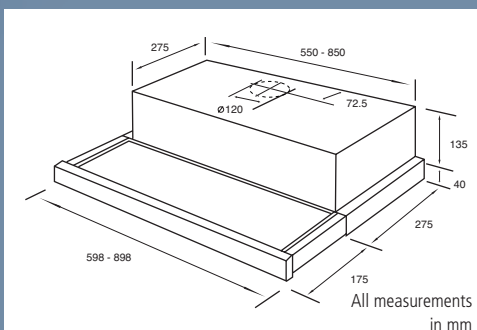
Twin motor
170 - 400m³/h
49 - 67 db

Also Available (not pictured)

Torino Slide-Out S5226
 • 600mm • Electronic Speeds
 • Twin Motors • Twin Lights
 • 1 Glass & 1 Aluminium Filter
 Available: White Only
H596P SSteel Facepanel available

Torino Slide-Out S5229
 • 900mm • Electronic Speeds
 • Twin Motors • Twin Lights
 • 1 Glass & 1 Aluminium Filter
 Available: White Only
H599P SSteel Facepanel available

Elislim Slide-Out



Elislim Slide-Out S5626
 • 600mm • 3 Speed Switch • Twin Motors
 • Twin Lights • Two Aluminium Filters
 Available: White Only
H596P SSteel Facepanel available

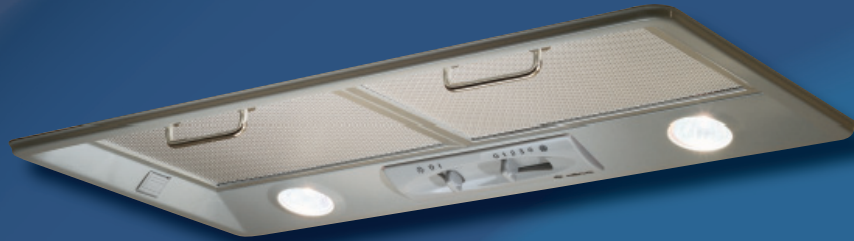
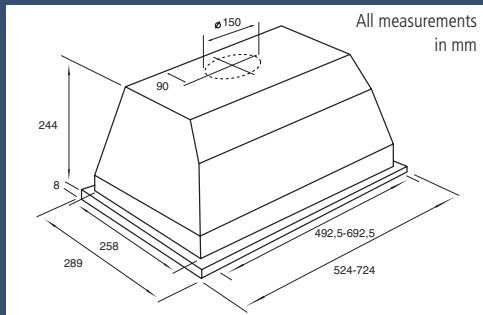
300 - 520m³/h
49 - 67 db

Also Available (not pictured)

Elislim Slide-Out S5629
 • 900mm • 3 Speed Switch • Twin Motors • Twin Lights
 • Two Aluminium Filters

Available: White Only
H599P SSteel Facepanel available

Slim-Air Flushline

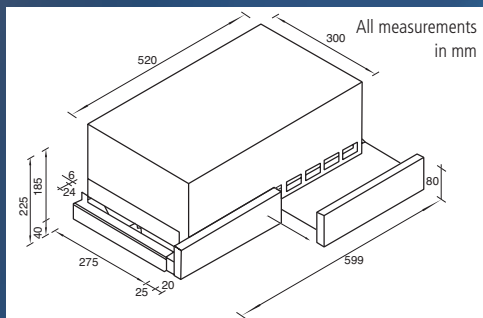


490 - 680m³/h
50 - 58 db

Slim-Air Flushline E1419 (not pictured)
• 724mm • 4 Speed Switch • Twin Halogen Lights • White

Slim-Air Flushline E1416
• 524mm • 4 Speed Switch • Twin Halogen Lights • White

Reco-Air Telescopic



Reco-Air Telescopic S5416
• 600 mm • 3 Speed Switch • Twin 40w Lights • White
H596R 80mm Front Panel

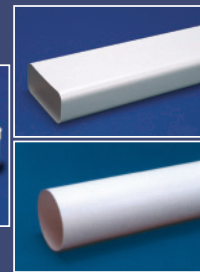
Advice for Installation

- Install 125mm discharge pipes that allow better air flow;
- Install pipes with discharge directly to the outside, whenever possible; only when not possible, it is advisable to recirculate the air through the filters of activated charcoal;
- Whenever possible, avoid bends and elbows in the installation of the discharge pipe;
- It is advisable to install the hood at a height no lower than:
 - 60cm for electric
 - 70cm above gas
 - 75cm above professional gas from the surface of the cooktop;
- Remember to wash the filters periodically to ensure a better performance and avoid wear;
- Stainless steel hoods should not be cleaned with abrasive agents such as acids, bleach, etc. as they will deteriorate the stainless steel;
- Although Fiori products are designed for easy installation, it is recommended for qualified personnel to carry out the installation.



Ventilation Ducting Systems

INTRODUCING THE NEW FIORI VENTILATION DUCTING SYSTEMS. THE SIMPLE SOLUTION TO INSTALLATION. AESTHETICALLY PLEASING...TECHNICALLY BRILLIANT!



Accessories



Charcoal Filters

Available From:



2-year warranty applies to all products in this brochure. Specifications are subject to change without notice.