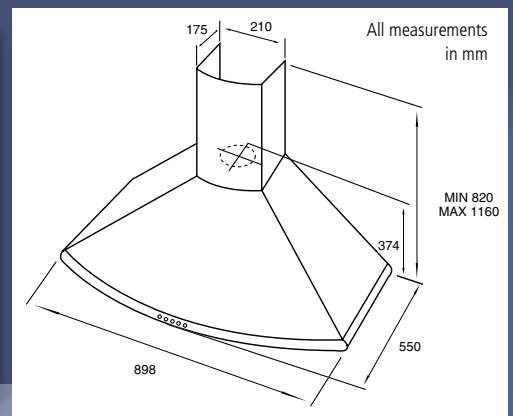




The Essential Range

Electrical connection for all rangehoods Recommended Top Rear Centre with approx 1.2 metre Powercord

Stream E84

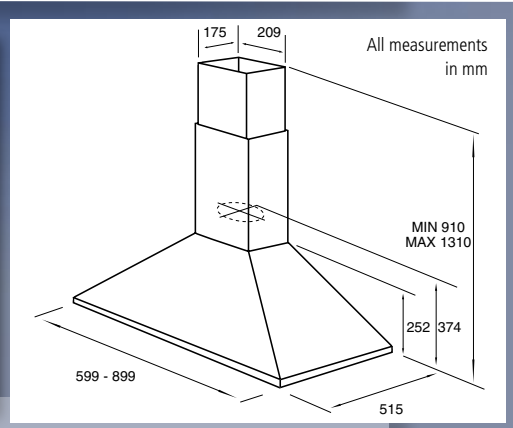


CHIMNEY HOOD STAINLESS STEEL 3 SPEEDS PLUS TURBO
PUSH BUTTON SWITCHES

Twin 40 Watt Halogen Lamps
Air Flow (C) 450 - 880m³/Hour
Noise(C) 45-59 db

E8419 = 900mm Without Rail
E8419A = 900mm With Rail

Tamaya E85



CHIMNEY HOOD STAINLESS STEEL 3 SPEEDS
PUSH BUTTON SWITCHES

Twin 40 Watt Halogen Lamps
Air Flow (C) 450 - 880m³/Hour
Noise(C) 45-59 db

E85120 = 1200mm

Accessories



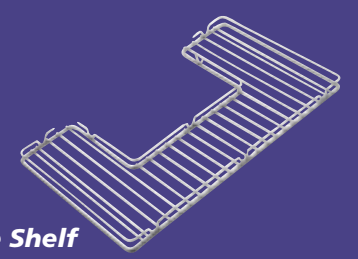
Charcoal Filter



Glass Shelf



Flue Extensions



Chrome Wire Shelf

INSIST ON FIORI...

Canopy Hoods

2 year warranty applies to all products in this brochure

Specifications are subject to change without notice.

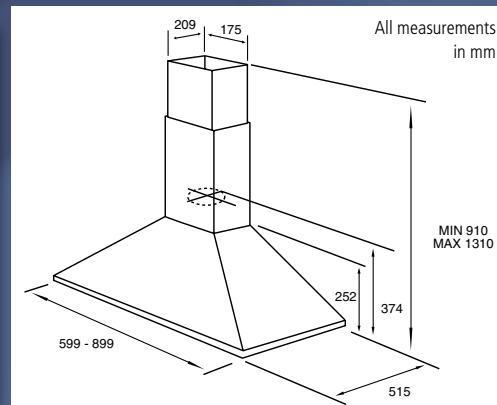


Available From:



Canopy Hoods

Aqua
E81

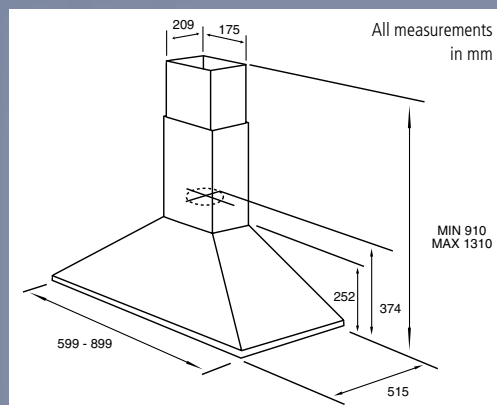


**CHIMNEY HOOD STAINLESS STEEL
PUSH BUTTON SWITCHES**

Twin 40 Watt Lamps
Air Flow (C) 420 - 660m³/Hour
Noise (C) 42-55 db

E8116W = 600mm White
E8116 = 600mm
E8119 = 900mm
E8119W = 900mm White

Aqua
HP E82

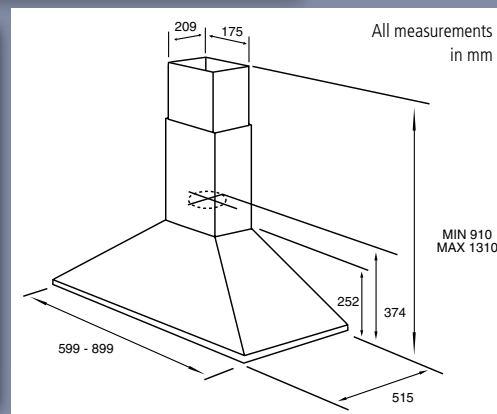


**CHIMNEY HOOD STAINLESS STEEL
PUSH BUTTON SWITCHES**

Twin 40 Watt Halogen Lamps
Air Flow (C) 450 - 880m³/Hour
Noise (C) 45 -59db

E8216W = 600mm White
E8216 = 600mm
E8219W = 900mm White
E8219 = 900mm

Keyline
E83



**CHIMNEY HOOD STAINLESS STEEL
PUSH BUTTON SWITCHES**

Twin 40 Watt Halogen Lamps
Air Flow (C) 450 - 880m³/Hour
Noise(C) 45-59 db

3 SPEEDS
E8316 = 600mm
E8319 = 900mm

New

Ventilation Ducting Systems



**INTRODUCING THE NEW
FIORI VENTILATION
DUCTING SYSTEMS.**



**THE SIMPLE SOLUTION
TO INSTALLATION.**

**AESTHETICALLY
PLEASING...**



**...TECHNICALLY
BRILLIANT!**



Advice for Installation

- Install 125 mm discharge pipes that allow better air flow;
- Install pipes with discharge directly to the outside, whenever possible; only when not possible, it is advisable to recirculate the air through the filters of activated charcoal;
- Whenever possible, avoid bends and elbows in the installation of the discharge pipe;
- It is advisable to install the hood at a height no lower than 65 cm from the surface of the cooktop;
- Remember to wash the filters periodically to ensure a better performance and avoid wear;
- Stainless steel hoods should not be cleaned with abrasive agents such as acids, bleach, etc. as they will deteriorate the stainless steel;
- Although Fiori products are designed for easy installation, it is recommended for qualified personnel to carry out the installation.